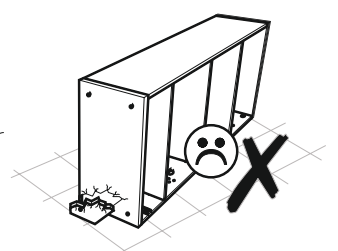
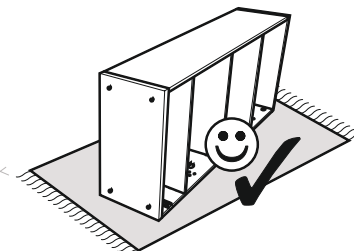
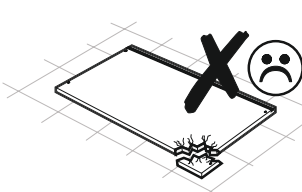
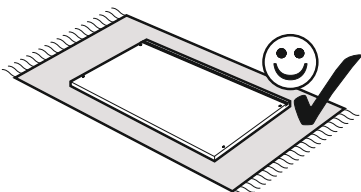
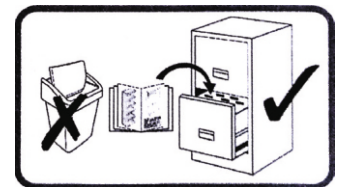
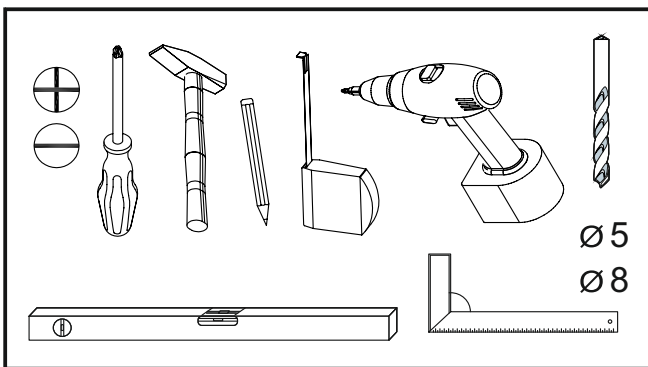
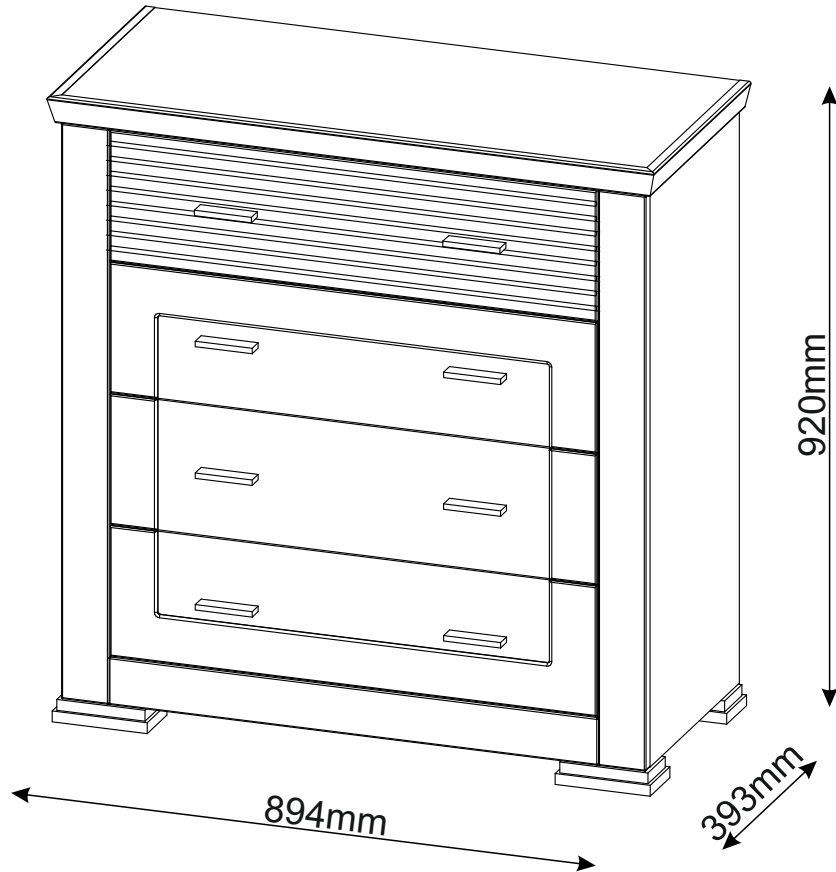
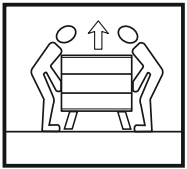
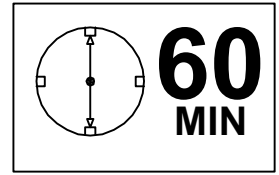
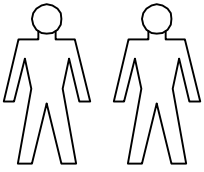



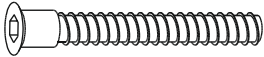

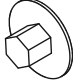




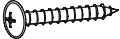

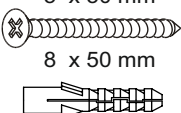

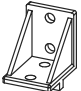
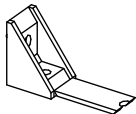




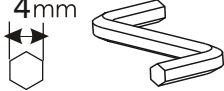
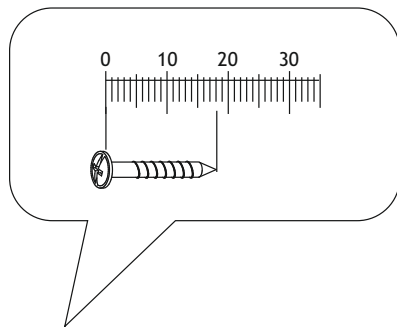


Agnes Chest 4Dr



Agnes Chest 4Dr


A0 8 x 30mm x20 	B0  x16	B1 6.4x 50 mm x20 
B2 7 x 70 mm x4 	B81 8mm  x4	C0  x16
C1 16mm  x20	C2  x20	D0 3 x 15 mm  x40
D17 3,5 x 16 mm  x26	D18 4.2 x 30 mm  x20	D20 5 x 13 mm  x40
E4 5 x 50 mm 8 x 50 mm  x1	F0  x16	F1  x6
F2  x4	I1  x1	L35  x8
N23 L-300  x4	U2  x8	Z 4mm  x1

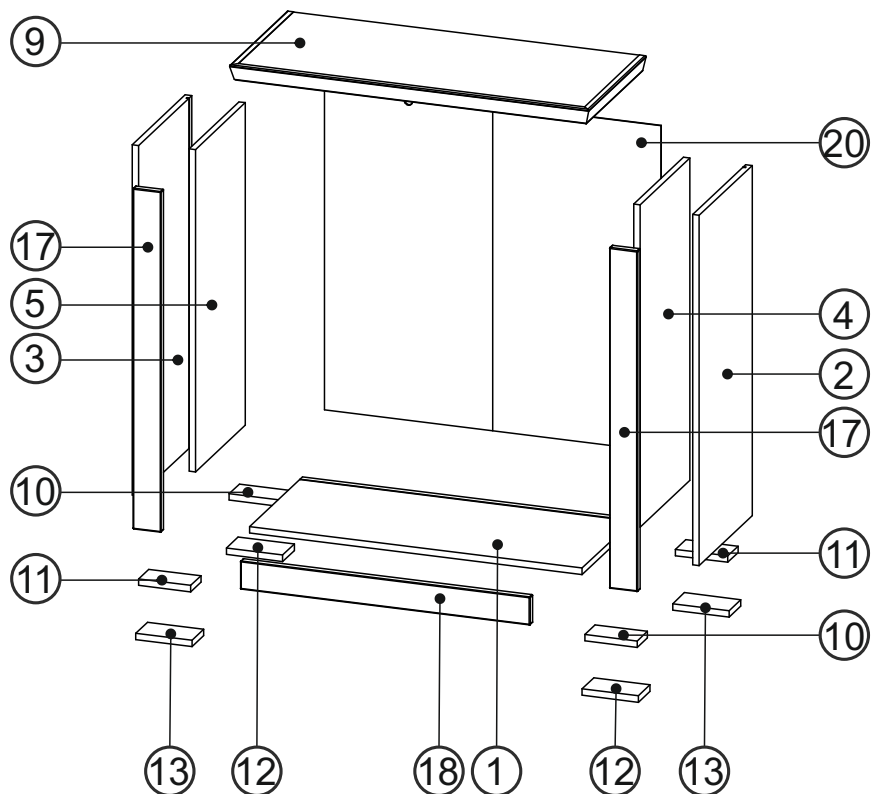
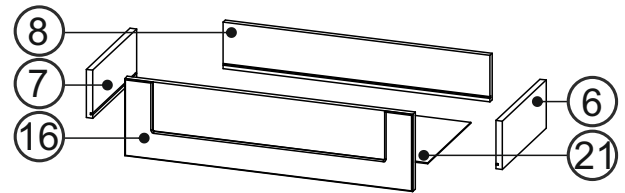
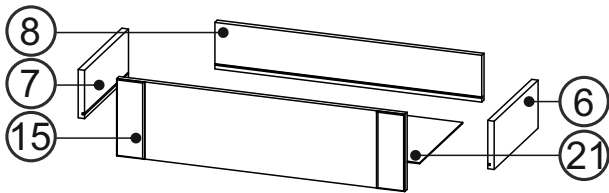
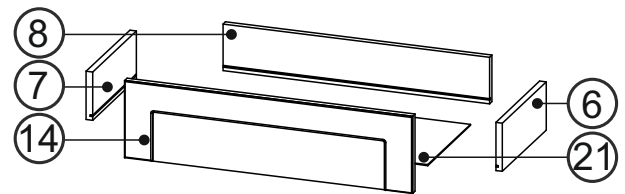
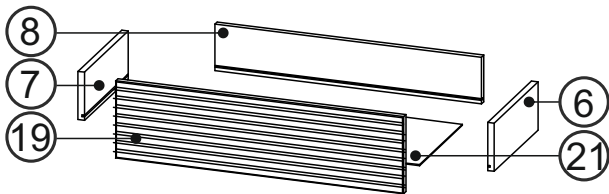


Agnes Chest 4Dr




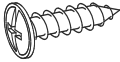

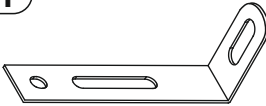
①	828	362.5	16	x1	1/2
②	872	363	16	x1	1/2
③	872	363	16	x1	1/2
④	802.5	341	16	x1	1/2
⑤	802.5	341	16	x1	1/2
⑥	300	120	16	x4	1/2
⑦	300	120	16	x4	1/2
⑧	664	116	16	x4	1/2

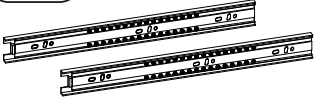
⑨	894	393	40	x1	1/2
⑩	130	70	16	x2	2/2
⑪	130	70	16	x2	2/2
⑫	140	80	16	x2	2/2
⑬	140	80	16	x2	2/2
⑭	192	717	16	x1	2/2
⑮	192	717	16	x1	2/2
⑯	192	717	16	x1	2/2

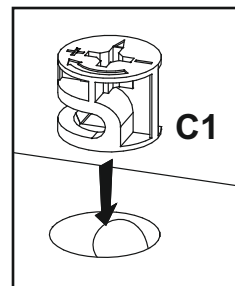
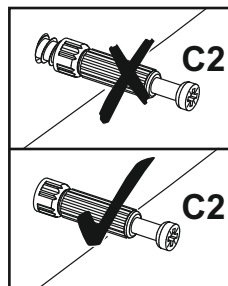
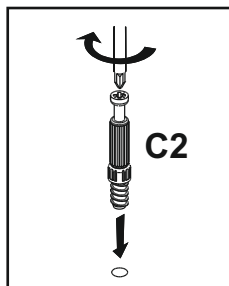
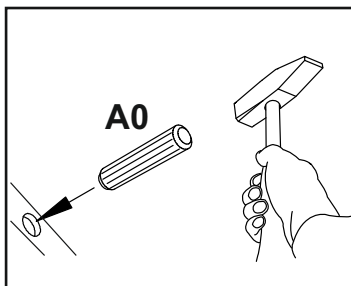
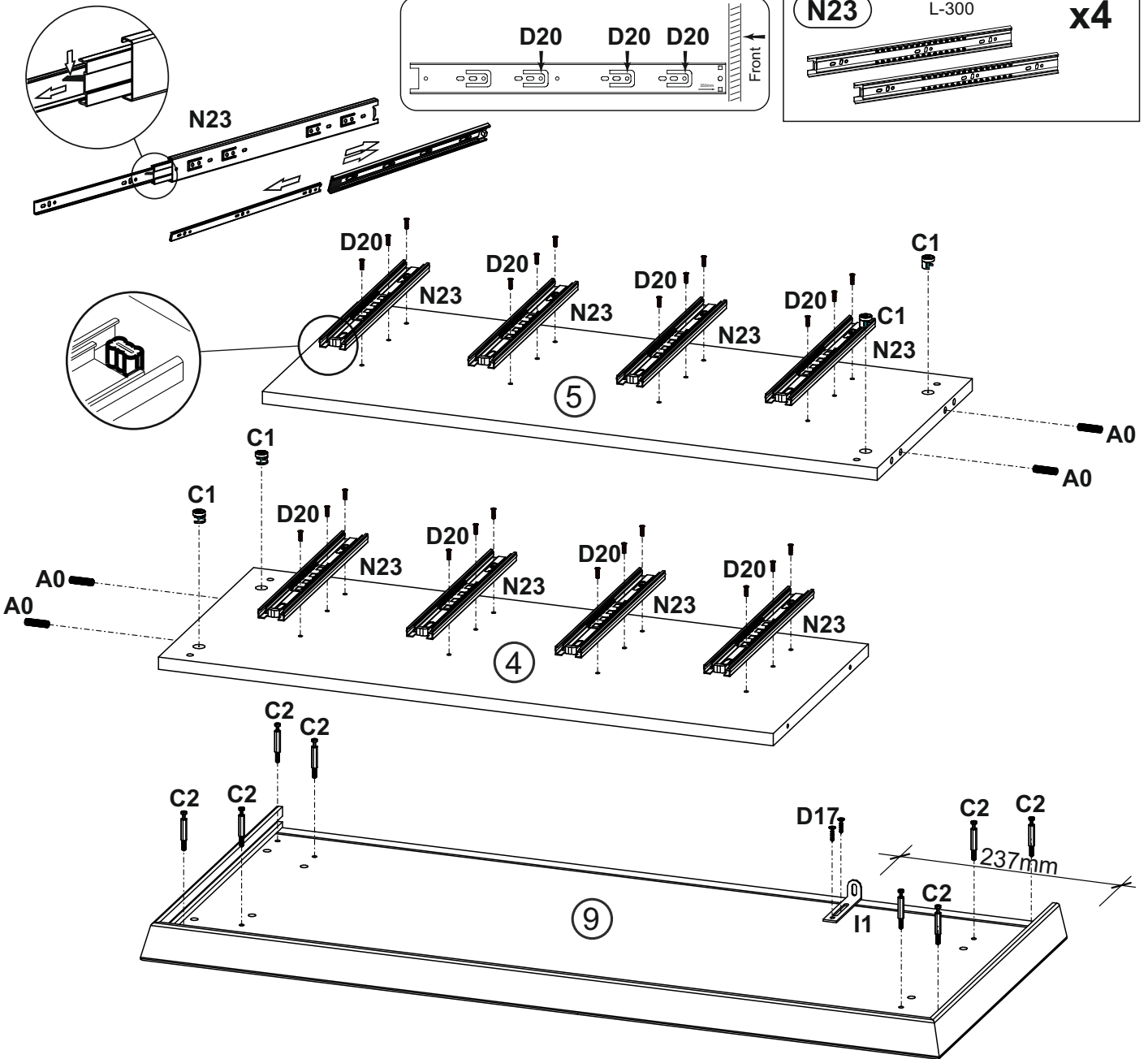
⑰	848	70	18	x2	2/2
⑱	721	70	18	x1	2/2
⑲	192	717	18	x1	2/2
⑳	812	818	3	x1	2/2
㉑	674	294	3	x4	2/2
					1/2



1

A0 8 x 30mm  x4	C1 16mm  x4	C2  x8
D17  3,5 x 16 mm x2	D20 5 x 13 mm  x24	I1  x1

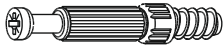
N23 L-300  x4



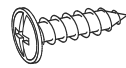
2

C2

x8



D17



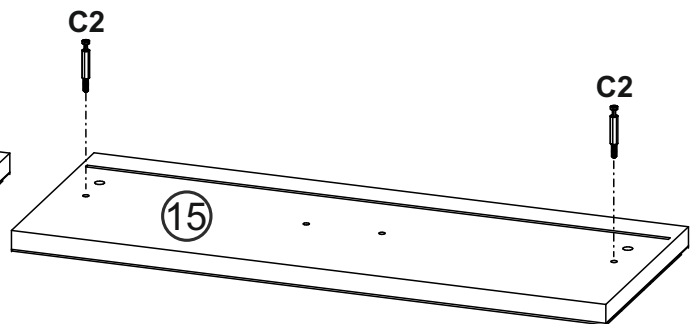
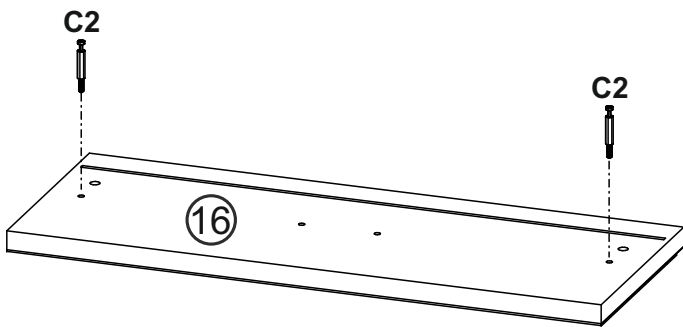
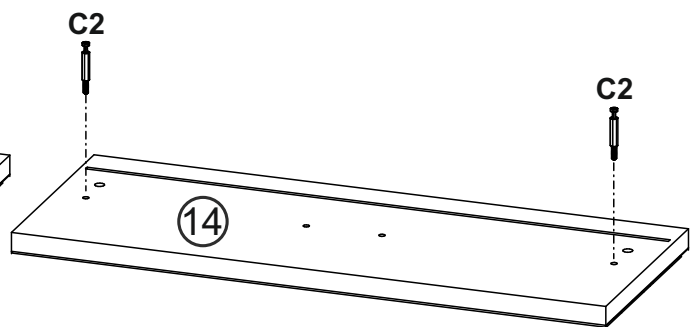
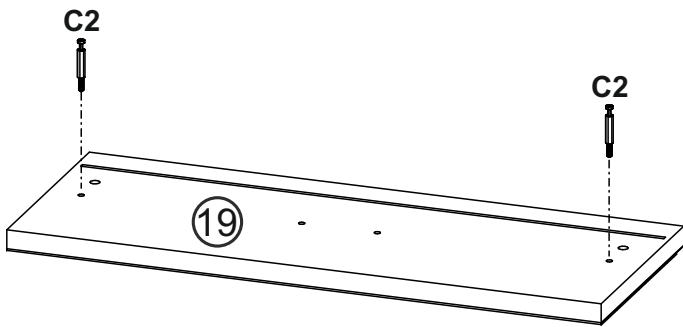
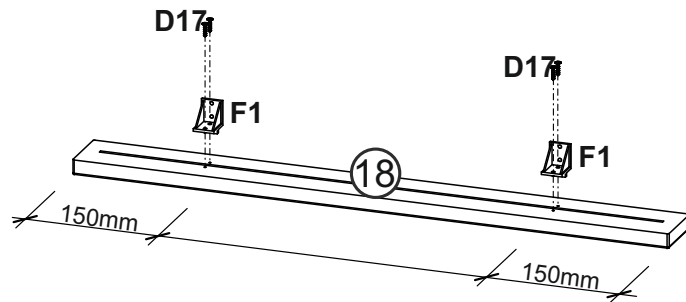
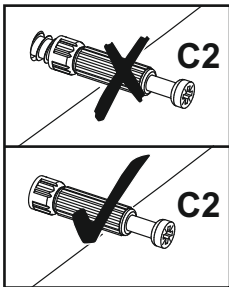
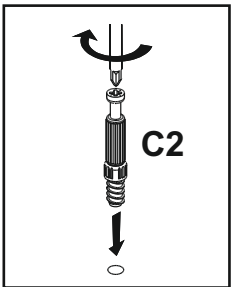
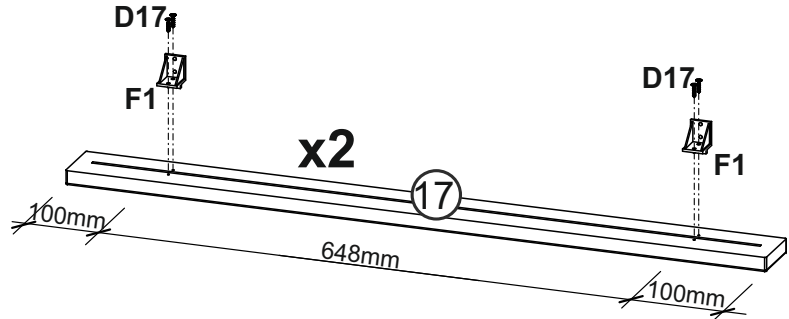
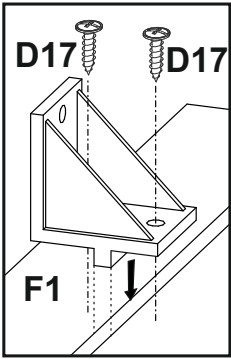
3,5 x 16 mm

x12





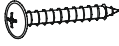

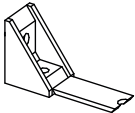
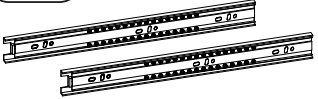
F1

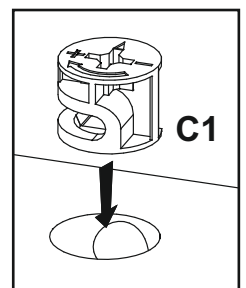
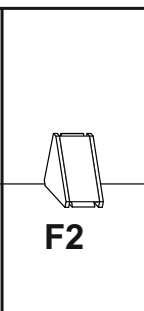
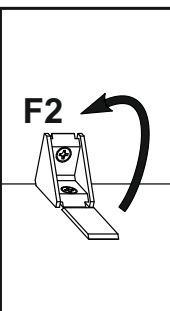
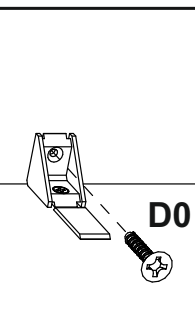
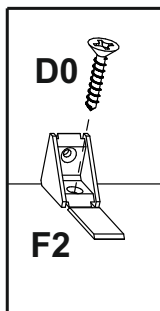
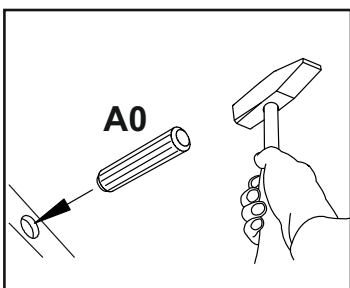
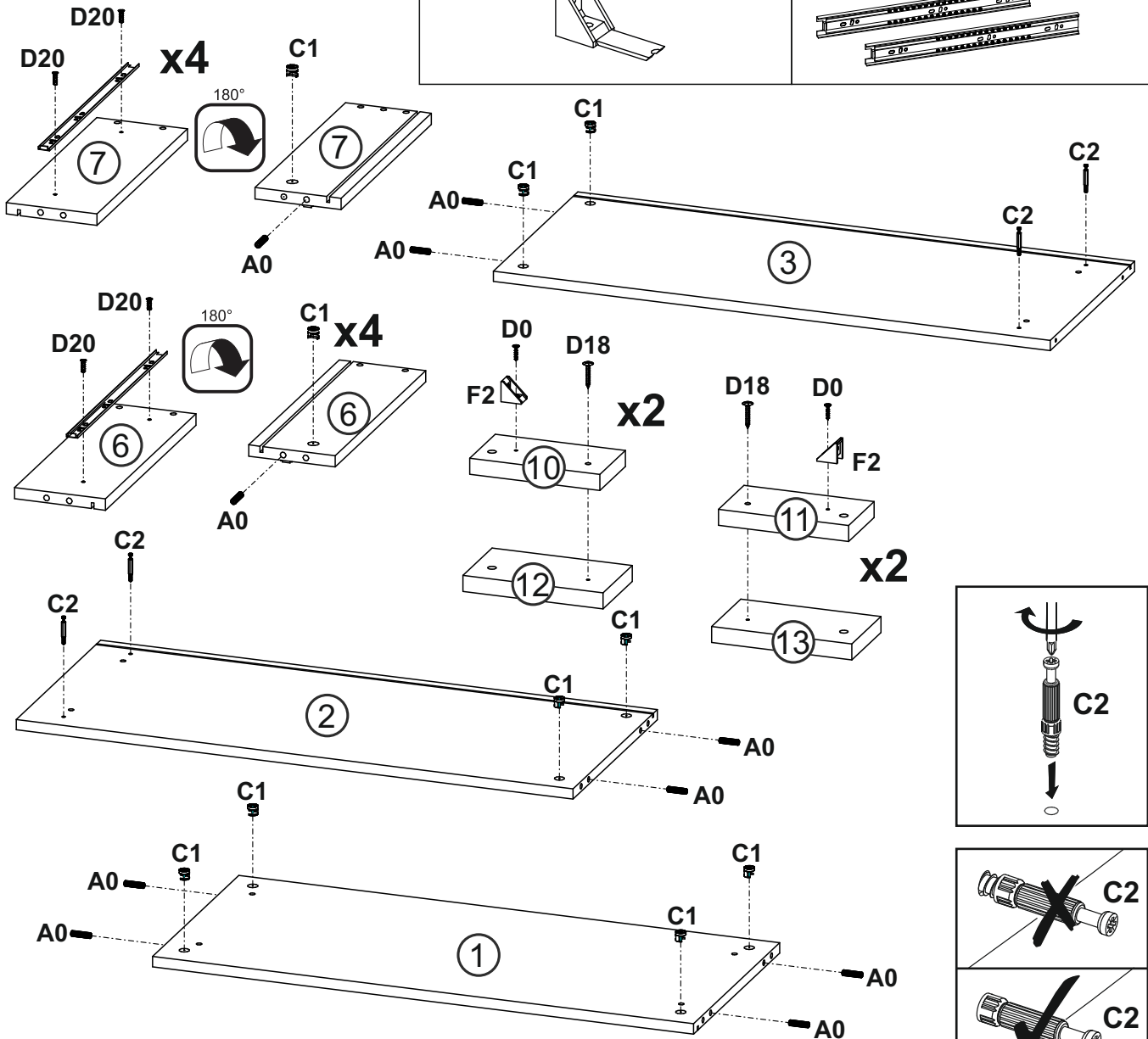


x6



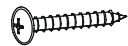
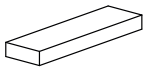
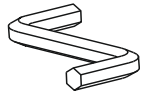
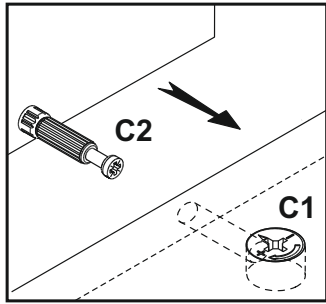


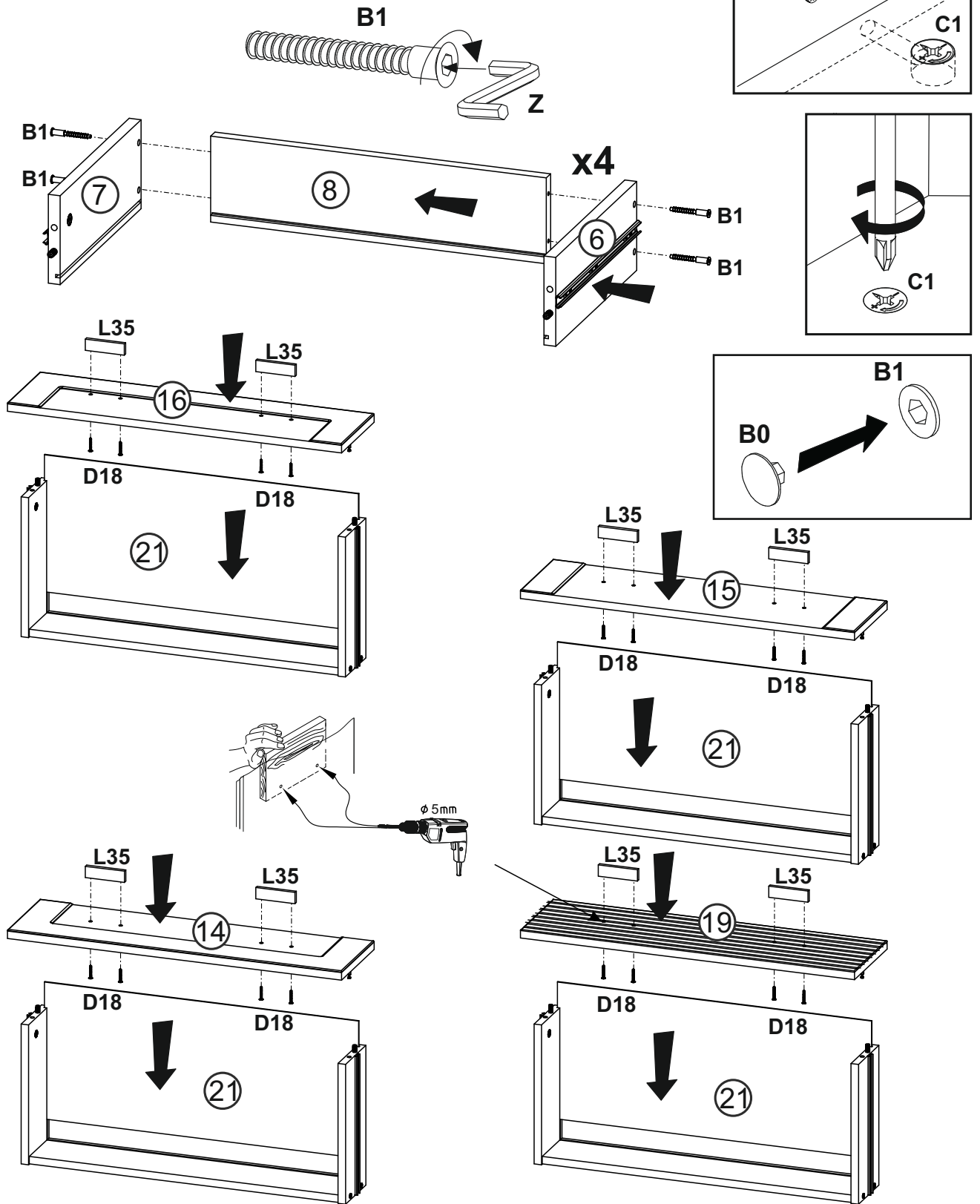
3

A0 8 x 30mm 	x16	C1 16mm 	x16	C2 	x4
D0 3 x 15 mm 	x4	D18 4.2 x 30 mm 	x4	D20 5 x 13 mm 	x16
		F2 	x4	N23 L-300 	x4




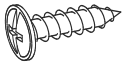




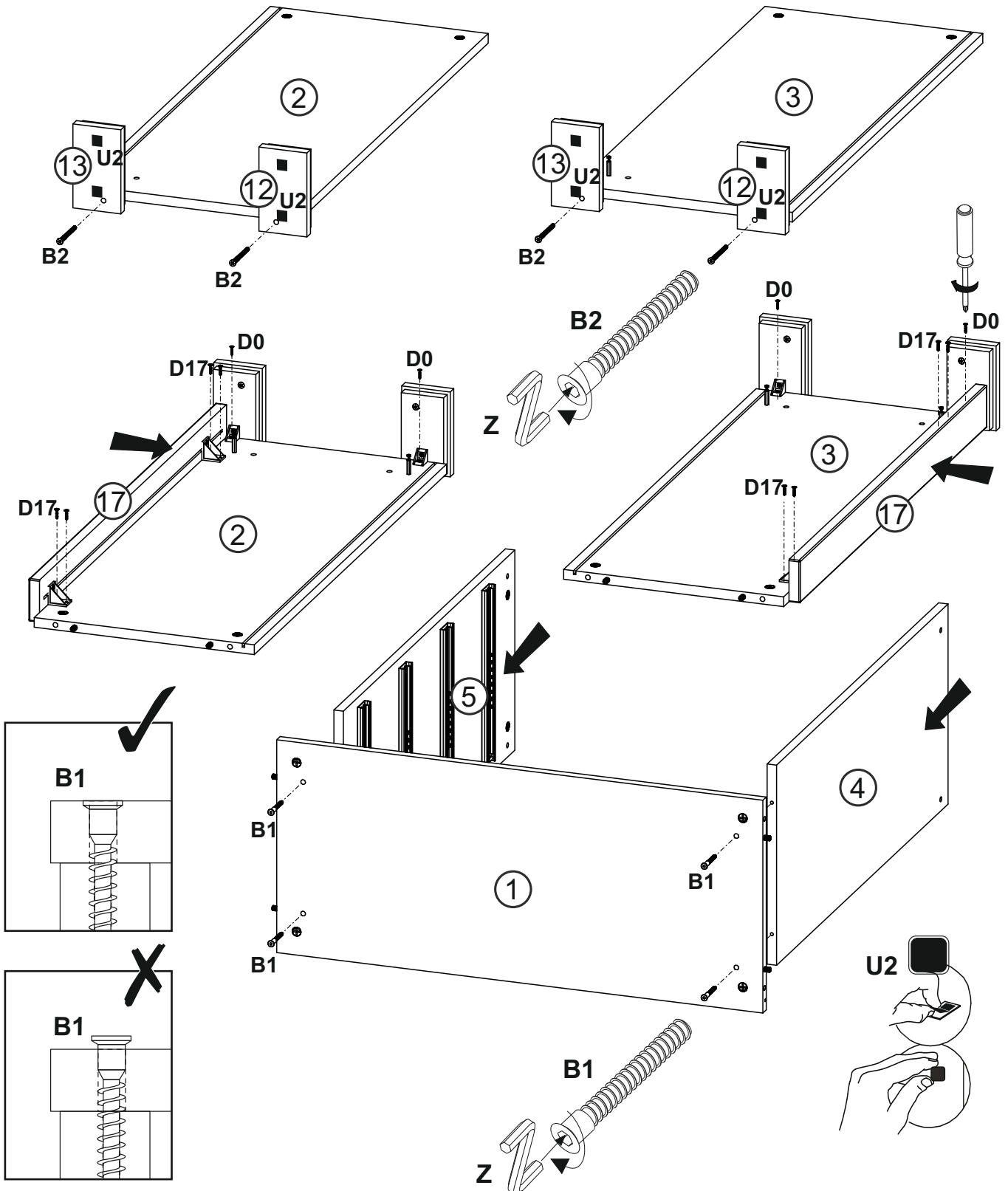
4

B0  x16	B1 6.4 x 50 mm  x16	D18  4.2 x 30 mm x16
L35  x8	Z 4mm  x1	

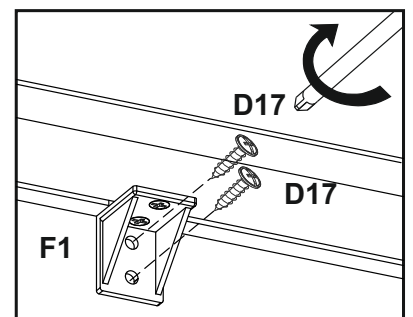
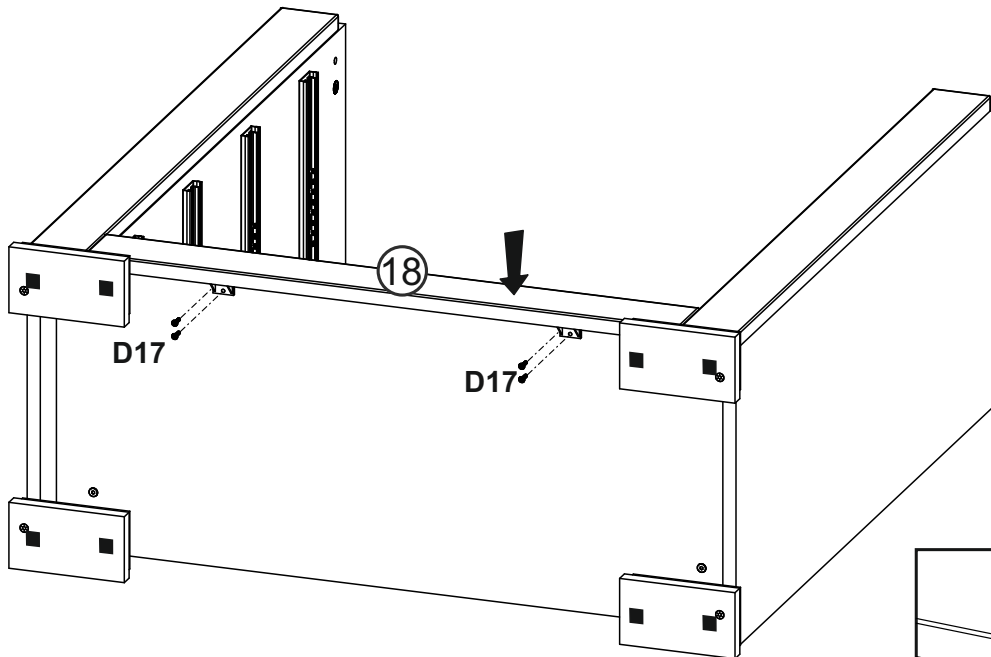
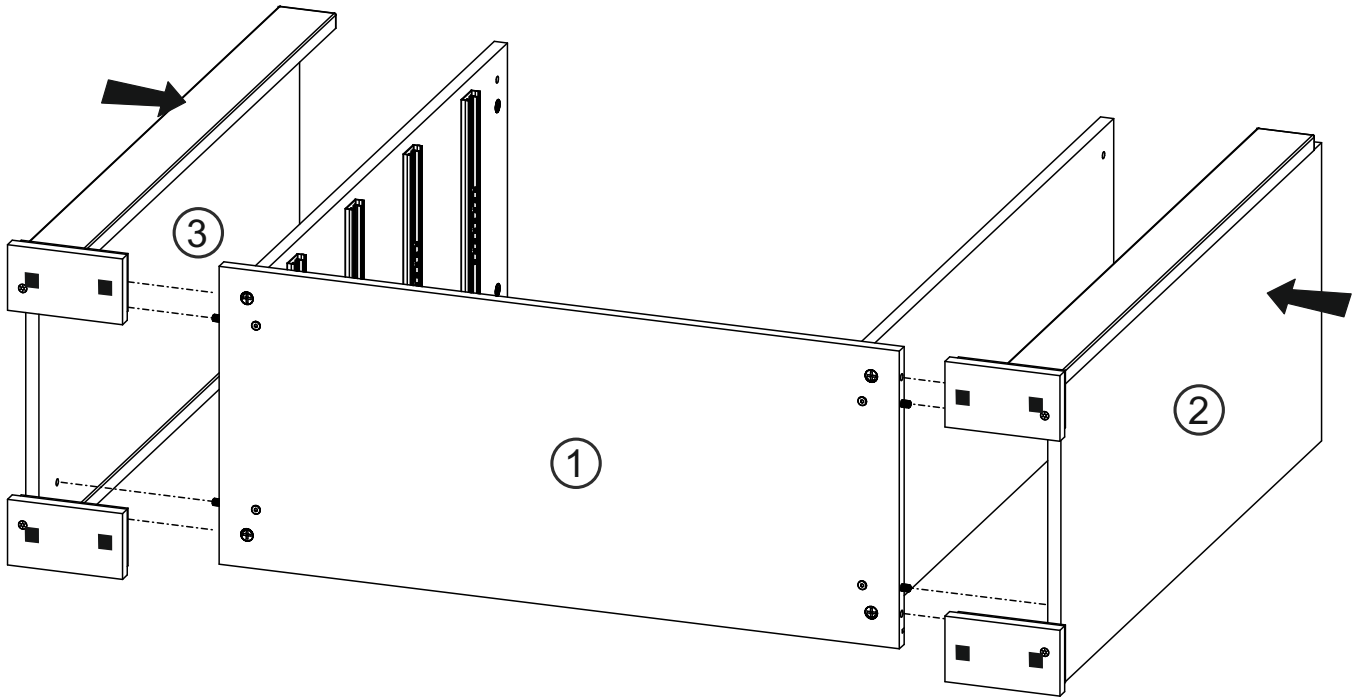
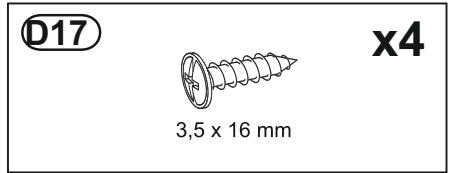
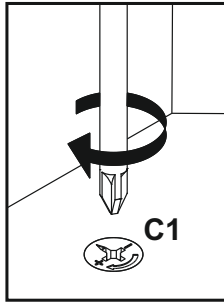
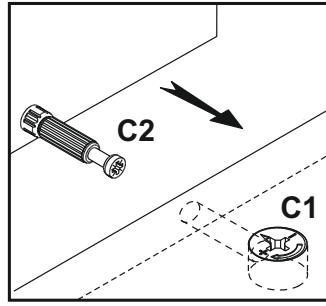


5



B1 6.4x 50 mm x4 	B2 7 x 70 mm x4 	D0 3 x 15 mm x4 
D17 3,5 x 16 mm x8 	U2  x8	Z 4mm x1 

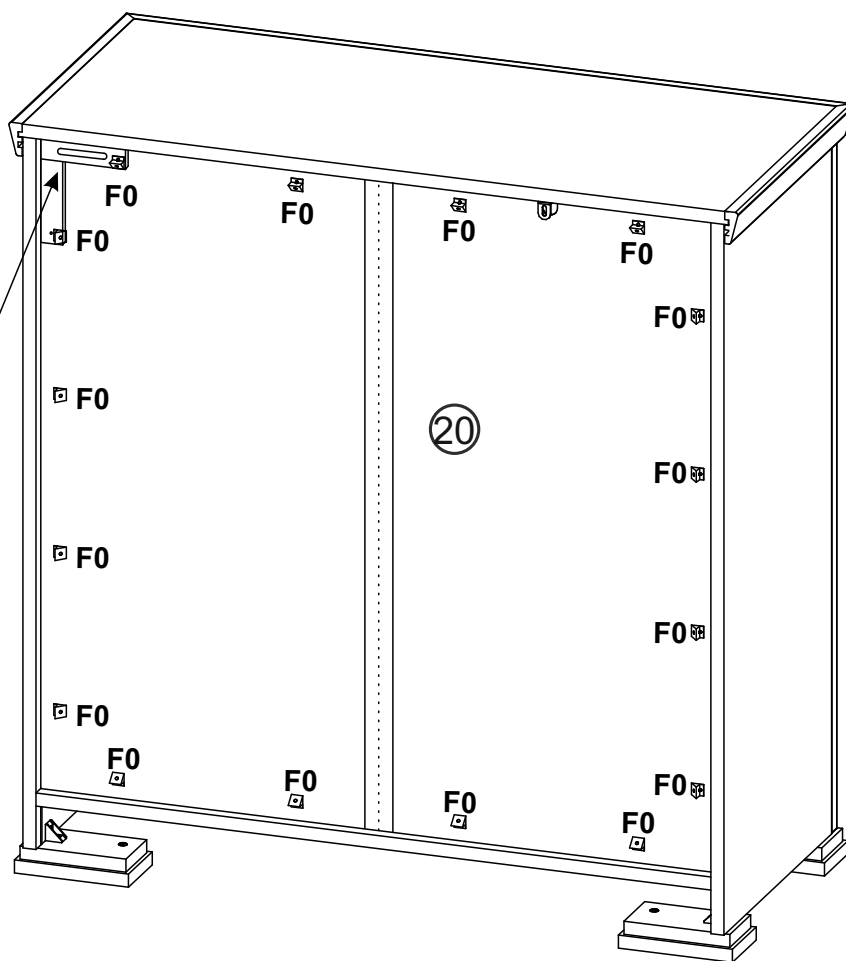
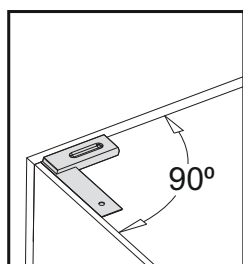
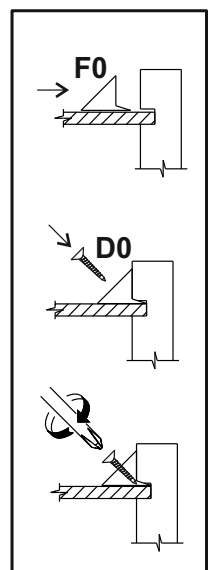
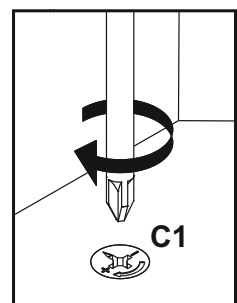
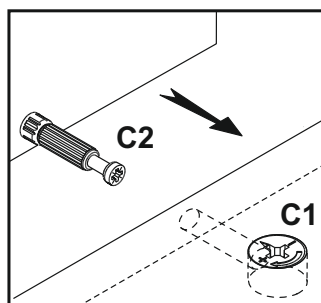
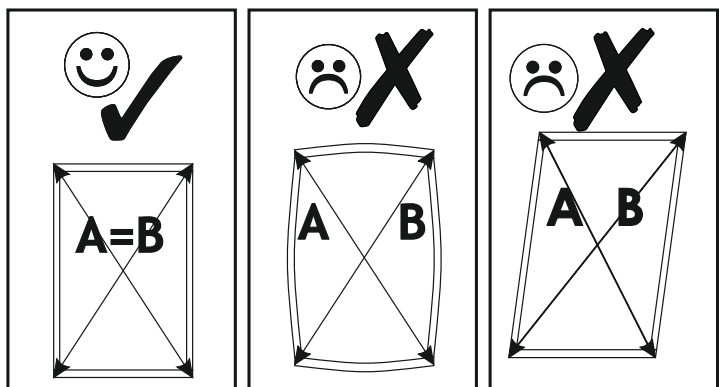
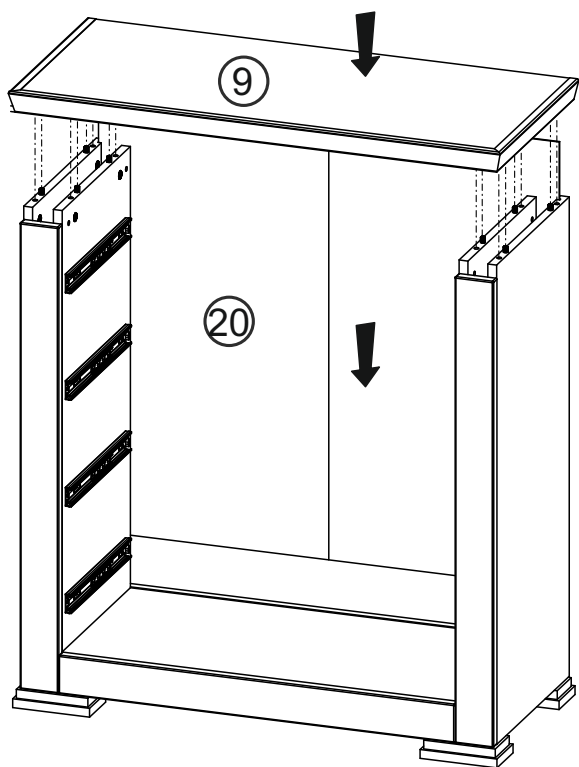


6



7

(D0) 3 x 15 mm 	x16	(F0) 	x16
---	------------	--	------------



8

B81

x4



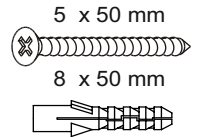
8mm

C0

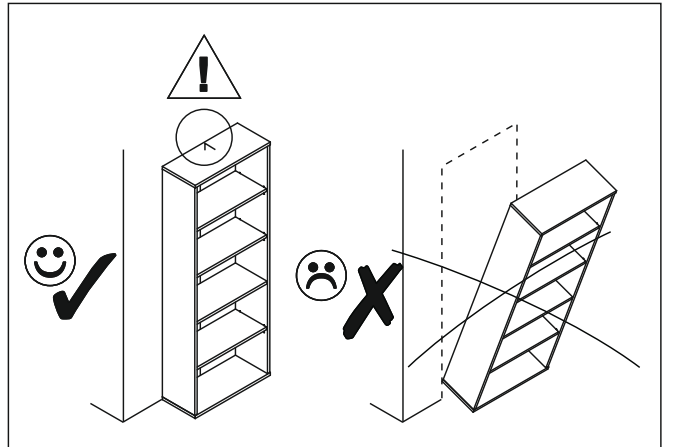
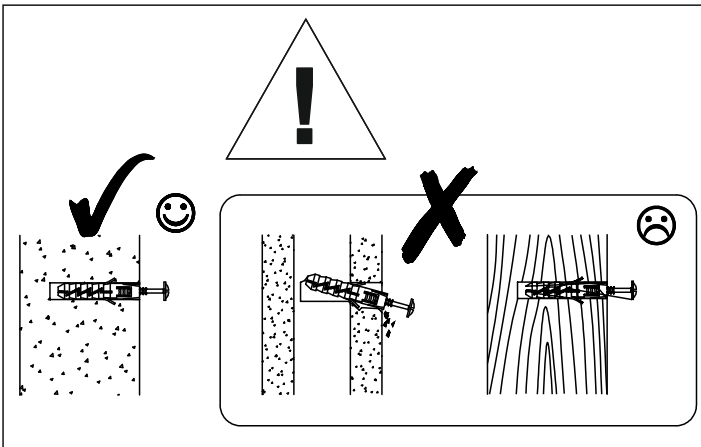
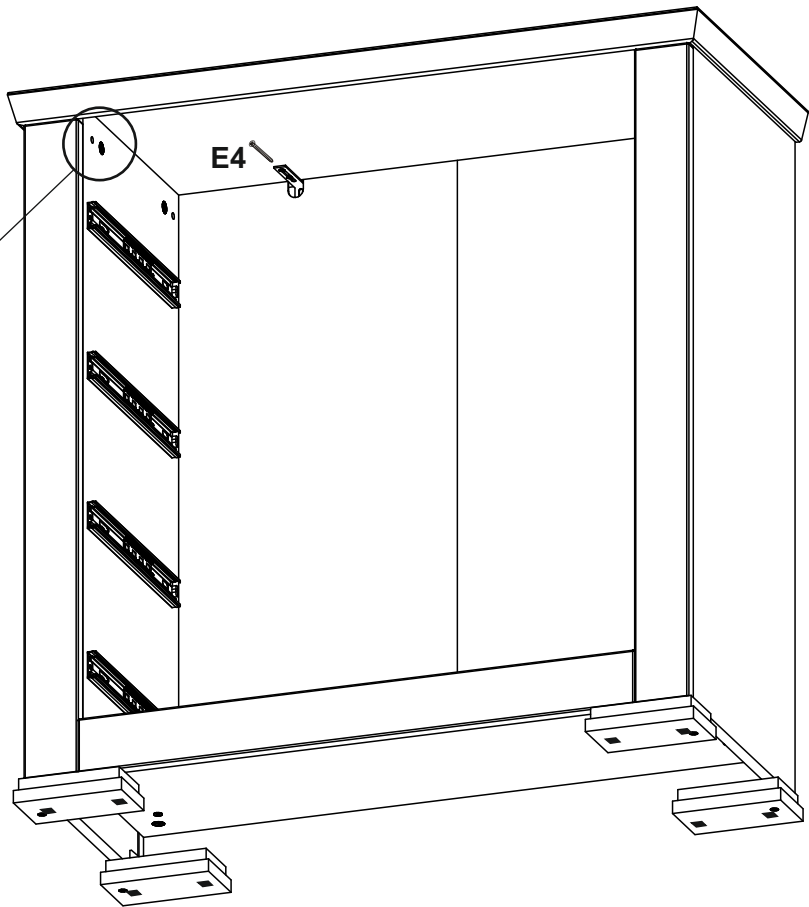
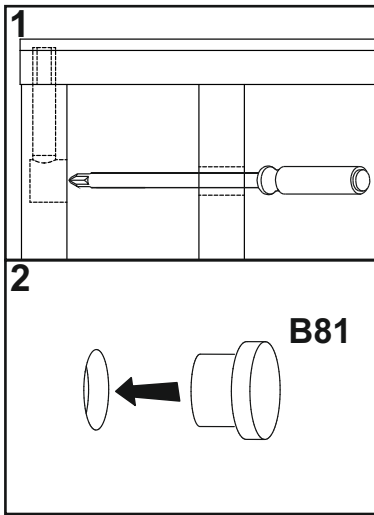
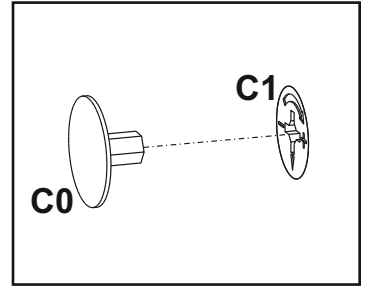
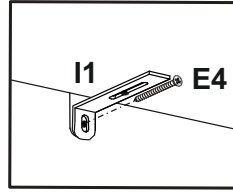
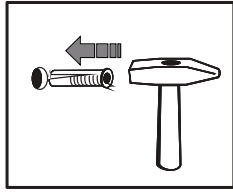
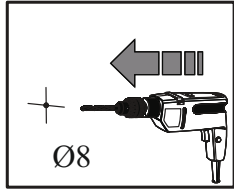
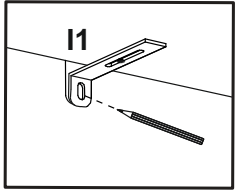
x8



E4



x1

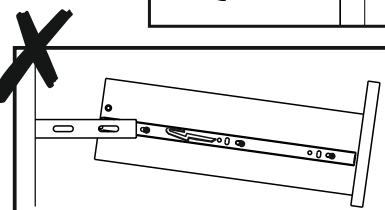
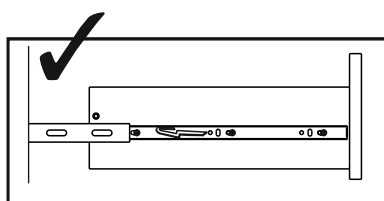
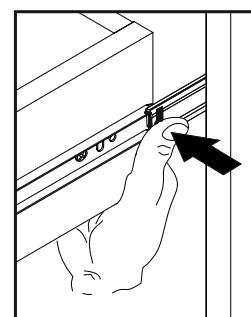
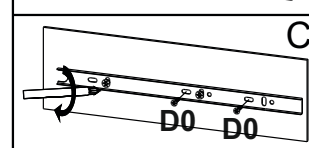
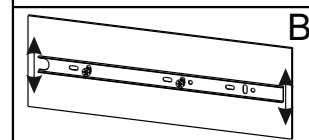
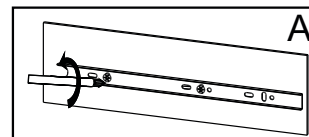
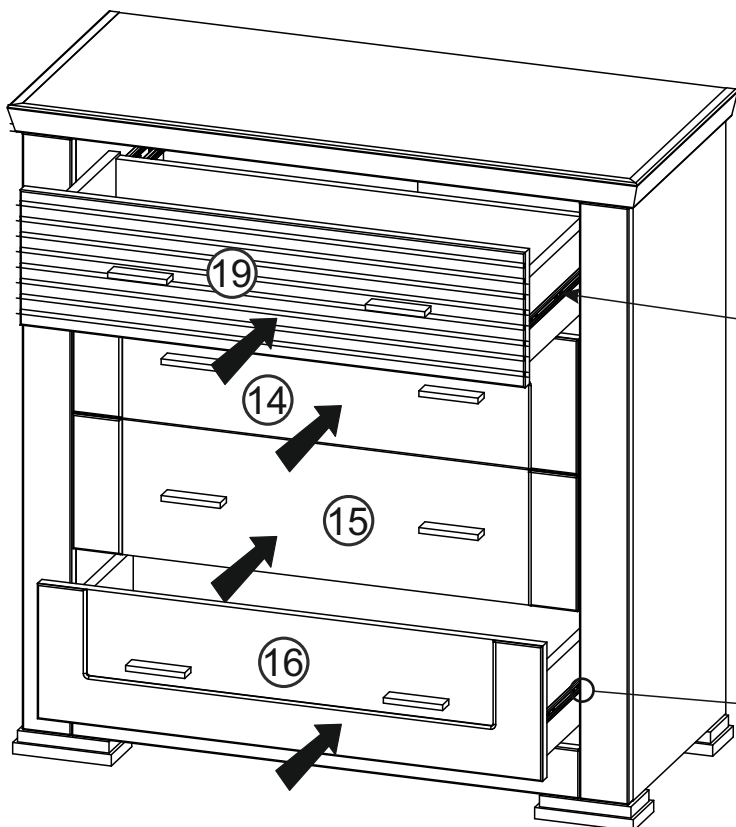


9

D0

3 x 15 mm

x16



 **max.
5 kg**

 **max.
5 kg**

 **max.
5 kg**

 **max.
5 kg**

 **max.
15 kg**

